

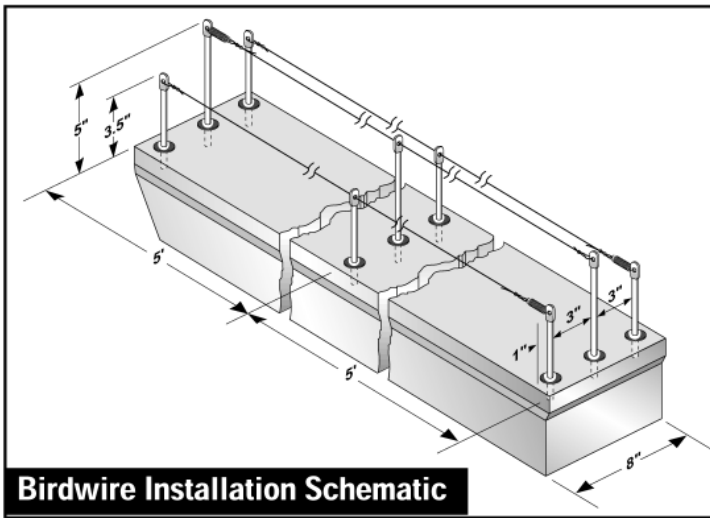
# Birdwire™

Bird-X, Inc.  
300 N. Oakley Blvd.  
Chicago, IL 60612  
P: 312.226.2473  
F: 312.226.2480  
solutions@bird-x.com  
www.bird-x.com

CSI Division: 10296  
Bird Barrier Birdwire

## MR-Manufacturer

Bird-X, Incorporated manufactures Birdwire's extensive line of components from the finest stainless steel and ultra-violet stabilized plastics.



**Birdwire Installation Schematic**

## PR-Product Presentation

Bird-X, Inc.'s Birdwire system is used worldwide to deter pigeons and larger birds from roosting on exposed building ledges, parapets, window sills, pipes and roof peaks. The system features hard-to-see ultra violet protected, nylon coated stainless steel wire spring-tensioned between stainless steel posts.

## Very Discreet

The advantages of Birdwire include its wide array of installation options, and the fact that it is extremely hard to see, even close up. It is the clear choice for high pedestrian, high-end structures like historic buildings, hotels, museums, shopping centers and residences.

## Many Options and Configurations

Birdwire posts are available in various lengths and configurations, allowing for installation on literally any building situation. Special clamps allow for installation on pipes, rain gutters, skylights, roof peaks, narrow ledges, corners and literally any surface where pest birds are posing a problem. Stainless steel split

pins can replace posts on window ledges where opposing walls face one another.

## UA-Uses, Applications

Bird-X, Inc. Birdwire can be used to deter a wide variety of birds (pigeons and larger) from landing on light to medium pressure (see "Bird Pressure" in company introduction) exposed ledges. The tensioned wires de-stabilize the landing platform, causing the birds to take their business elsewhere. The Birdwire components can be used in combination to cover any width ledge. Birdwire is not recommended for swallows, sparrows or starlings. Birdwire requires knowledgeable installers, as the many attachments, springs and wires make up a product line which cannot just be pulled out of the box and mounted ready-to-go onto a surface. Other Bird-X, Inc. ledge products (The Coil and BirdPoint) are much easier to install. See their product descriptions elsewhere within Bird-X, Inc. product line (see other Bird-X, Inc. screens).

## AI-Assembly, Installation

Bird-X, Inc. Birdwire is run in long sections along the length of the ledge, pipe, gutter or other mounting surface. Bird Posts are mounted to the building by drilling in to the substrate, or by attaching stick-on bases with Bird-X, Inc. SSA Adhesive. The posts should be placed no more than 5 feet apart. Ledges of 1 to 2 inches wide require only one row of Birdwire. Wider ledges, however, will require a row every two and a half inches. A 9 inch ledge, for example, would require 3 rows for total protection.

## MF-Materials, Finishes

All components of the Birdwire system are made from stainless steel or ultra-violet stabilized plastic. The wire itself is very thin braided stainless steel wire coated with a ultra-violet stabilized nylon coating.

## TS-Technical Support

Bird-X, Inc.'s knowledgeable field representatives are available to assist in any aspect of evaluation, product recommendation and even local certified installation. Call 312.226.2473, or fax drawings and other pertinent information to 312.226.2480. Free literature, job evaluation worksheets and installation information is available.

## SPECIFICATION GUIDELINES

### General

#### 1.1 Description

1.1.1 Install Bird-X, Inc. Birdwire on exposed ledges where birds loaf but do not nest, to prevent loafing and damage from droppings.

#### 1.2 Quality Assurance

1.2.1 Obtain technical literature from manufacturer or distribu-

tor, telephone consultation and plan/photograph evaluation.

1.2.2 Utilize certified installation companies in your area who are fully skilled with Bird-X, Inc. products, and carry the proper insurance coverage.

1.2.3 Utilize labor recommended by Bird-X, Inc. for especially challenging applications.

### **1.3 Submittals**

1.3.1 Submit manufacturer's samples, catalog cuts, shop sketches and other descriptive material.

### **1.4 Product Handling**

1.4.1 Protect Bird-X, Inc. Birdwire from damage before, during and after installation.

1.4.2 If damage occurs to Bird-X, Inc. Birdwire components, make all replacements immediately.

## **Products**

### **2.1 Acceptable Manufacturer**

2.1.1 Bird-X, Inc. - 300 N. Oakley Blvd. Chicago, IL 60612

Phone: 312.226.2473, Fax: 312.226.2480

### **2.2 Model Designation**

2.2.1 Birdwire Posts

2.2.2 Birdwire mounting systems

2.2.3 Birdwire stainless steel wire

2.3.4 Birdwire crimping tool and masonry drill bits

## **Material**

### **Birdwire posts, springs, brackets, clamps**

Material: 316 Stainless Steel

Height: Rods available 3.5", 4.5", 5.5", 6.5" and 8"

Birdwire: 325 ft, 975 ft, 1625 ft.

### **2.3 Mounting Systems**

2.3.1 Concrete, stone or brick by drilling into substrate: Insert nylon anchor rivet into a hole 1" deep by 1/4". Birdwire post is hammered into this fitting.

2.3.2 Steel, sheet metal, or concrete, stone or brick with no holes in substrate: Use Birdwire stick-on bases and Bird-X, Inc.'s Adhesive. Please experiment with the stick-on system before doing an entire job. The Bond is so powerful it has been known to pull up weaker substrates. Please follow Bond literature carefully.

2.3.3 Sheet metal with small holes: Use Birdwire stick-on bases and small self-tapping sheet metal screws through screw holes provided in base.

## **Execution**

### **3.1 Examination**

3.1.1 Examine installation area. Notify architect of detrimental work conditions.

3.1.2 Do not proceed until conditions are corrected.

### **3.2 Surface Preparation**

3.2.1 Ledges and mounting surfaces must be clean, dry and free of peeling paint, rust, bird droppings or other debris. Bird droppings must be removed in a safe manner; large quantities should be removed and disposed of by reputable waste removal companies.

3.2.2 Remove or repair articles that may damage the Birdwire system after installation, such as tree limbs, brush, and loose parts of the building.

### **3.3 Installation**

3.3.1 Install Birdwire as recommended in the installation instructions, which are supplied by the manufacturer. The first row of Birdwire shall nearly overhang the outer edge of the ledge. This can be accomplished by bending the outer post once it is inserted in the anchor rivet.

3.3.2 Birdwire shall cover the complete ledge, not just the outer perimeter. Birdwire shall extend to each corner. Birdwire is an anti-landing device, not a barrier. No more than 2.5" can be left between rows or wire, and no more than 5 feet can be left between posts lengthwise along the ledge.

3.3.3 Birdwire shall be installed in lengths of no more than 10' per section of wire. Every 10' there shall be a spring and termination of the wire section. The next 10' section simply continues from the same post.

### **3.4 Inspection**

3.4.1 Visually inspect the Birdwire for loose wires or other problems related to poor installation or surface preparation.

3.4.2 Repair as necessary immediately.

## **OM-Operation, Maintenance**

If the Birdwire is installed per our specifications, the product should be virtually maintenance free. Occasionally birds might drop debris in the wire in an attempt to build a nest, but the debris should be released by natural forces. Nest building is a characteristic of heavy-pressure sites (see introduction), and if the birds attempt to nest upon the Birdwire it was mis-specified and should be correctly specified with BirdPoint, Bird-Flite or Bird-Shock (see BirdPoint, Bird-Flite & Bird-Shock within the Bird-X, Inc. family of products).