



Stainless Steel Bird Spikes

Durable, Long-Lasting Protection Against Roosting Birds

Stainless Steel Bird Spikes offer a long-lasting solution to deter pest birds from landing and roosting on ledges, signs, beams, and other surfaces. Constructed with durable stainless steel and a flexible, UV-resistant plastic base, these spikes are built to withstand harsh conditions. With multiple sizes available and easy installation options, they provide reliable protection for a wide range of applications.

Key Features

- **Durable Construction:** Stainless steel spikes with UV-resistant polycarbonate base resist weathering and corrosion.
- **Flexible Coverage:** Flexible base adapts to flat, curved, or uneven surfaces for a secure fit.
- **Multiple Widths:** Available in Slim, Standard, Extra Wide, and Extra Tall configurations to suit different surface widths.
- **Easy Installation:** Compatible with adhesive, self-tapping screws, or nails for quick and secure mounting.
- **Coverage Options:** Offered in 2-foot sections (boxes of 10, 24, 50, or 100 ft) and 13.1-inch Extra Tall sections (98 ft total).
- **Long-Term Value:** Backed by a 10-year warranty against defects in materials and workmanship.

Applications

- Ledges and building edges
- Rooftops and parapets
- Signage and architectural accents
- Gutters and downspouts
- HVAC units and rooftop equipment
- Window sills and cornices
- Beams, rafters, and trusses
- Fences and railings
- Chimneys and vents
- Canopies and awnings
- Commercial, industrial, and residential structures

Target Species

- Pigeons
- Crows
- Ravens
- Starlings
- Grackles
- Blackbirds
- Gulls (Extra Tall recommended)
- Other medium to large pest birds

Technical Specifications

Narrow

Top width: 2.5"

Base width: 0.5"

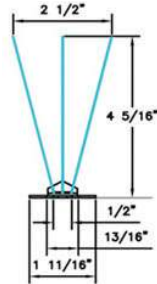
Highest point: 4.3"

10 ft: SLS-10

24 ft: SLS-24

50 ft: SLS-50

100 ft: SLS-100



Regular

Top width: 4.5"

Base width: 0.5"

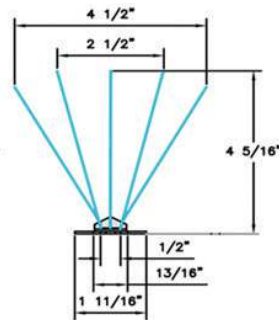
Highest point: 4.3"

10 ft: STS-10

24 ft: STS-24

50 ft: STS-50

100 ft: STS-100



Extra Wide

Top width: 7.5"

Base width: 0.5"

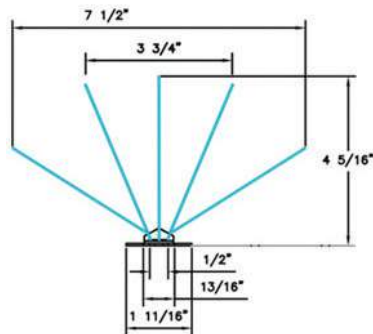
Highest point: 4.3"

10 ft: EWS-10

24 ft: EWS-24

50 ft: EWS-50

100 ft: EWS-100



Extra Tall

Top width: 7"

Base width: 0.5"

Highest point: 5.75"

98 ft: ETS-98

